



FRT GANGWAY FLAT RAMP TELESCOPING



INNOVATIVE
ENGINEERING

OSHA
COMPLIANT

DURABLE,
SAFE & EASY
TO USE



(FRT) Flat Ramp Telescoping Gangway

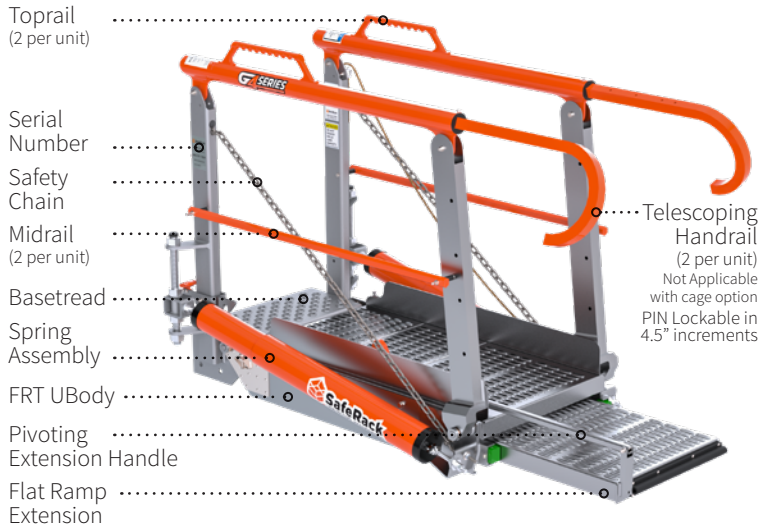
Our Flat Ramp Telescoping (FRT) Gangways are constructed with an extra strong tube design for cage mounting. Available in 24", 36", 48", 60" and 72" widths and numerous lengths to fit your application needs. Working range of 15 degrees below and 15 degrees above horizontal.

Safe, rugged and easy to use. Our FRT is a flat ramp model which is popular for railcar applications. It features a slip-resistant walk surface, and with the use of the telescoping extension walkway, eliminates gaps on narrow railcars. If you chose this model without the safety cage option, our telescoping top handrails are a standard feature.

Regardless of model, each FRT gangway is constructed with 1" stainless-steel-bearing-quality pivot rods through its entire length, as well as with machine-quality pivot points. In other words, they're built for both safety and longevity.

SafeRack's FRT gangway is designed to be more ergonomic and longer lasting. Tested in the most critical applications, these gangways outperform all others. Adding fall protection cages is easy, and customized designs are available to meet difficult applications.

REPLACEMENT PARTS & TERMINOLOGY

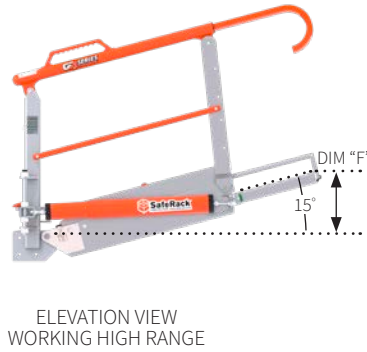


DIMENSIONS

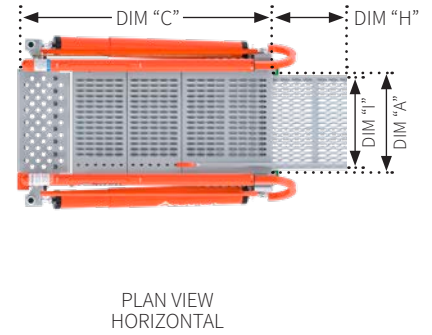


FEATURES

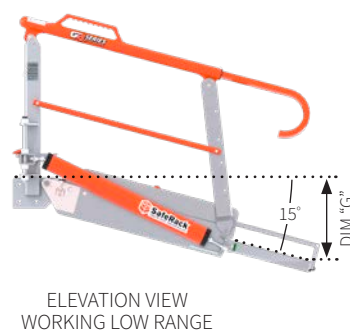
- Total load capacity 500lbs, Handrails 200lbs
- Available working range 15° above to 15° below horizontal
- One-piece extruded handrail with finger grip grab bar
- Base tread hot dipped galvanized per ASTM A-123, Gangway body constructed of aluminum (stainless steel optional)
- Self supporting by use of adjustable chain stops
- Spring counterbalanced for ease of operation
- Load bearing pivot points contain oil impregnated bronze bearings
- Spring counterbalanced for ease of use, with precise field adjustment capability
- Ergonomic and high visibility footlock, to secure gangway in stored position
- Gangways meet AWS D1.1 steel, AWS D1.2 aluminum and AWS D1.6 stainless steel as well as CWB 47.1 steel and CWB 47.2 aluminum
- All critical hardware is stainless steel



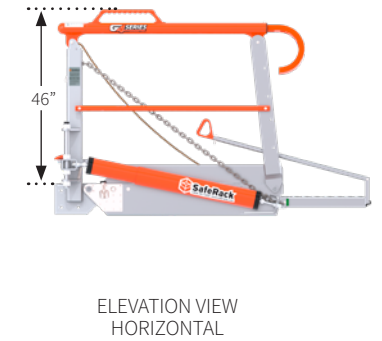
ELEVATION VIEW WORKING HIGH RANGE



PLAN VIEW HORIZONTAL



ELEVATION VIEW WORKING LOW RANGE



ELEVATION VIEW HORIZONTAL

Model #	A	B	I	Step #	C	D	E	F	G	H
24	24in	42in	22in	3 Step	37in	18in	71in	9in	16in	11in
36	36in	54in	34in	4 Step	50in	19in	84in	13in	19in	21in
48	48in	66in	46in	5 Step	63in	20in	97in	16in	23in	21in
60	60in	78in	58in	6 Step	76in	22in	110in	19in	26in	21in
72	72in	90in	70in	7 Step	89in	23in	123in	23in	29in	21in

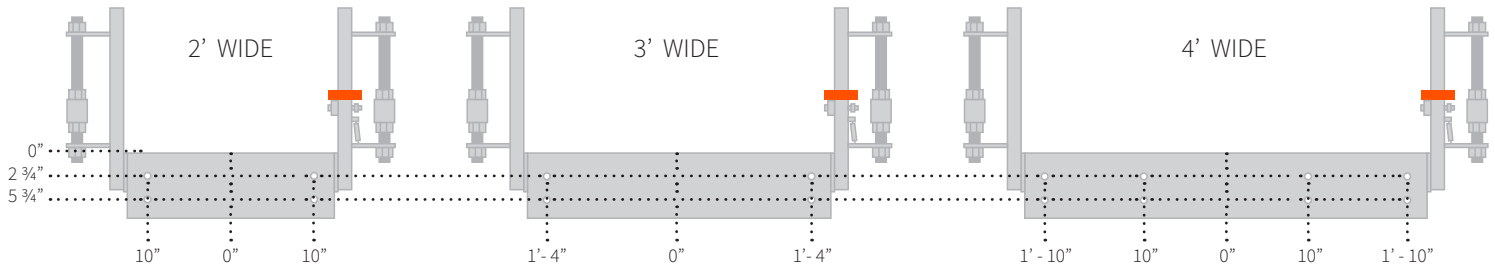


SAS-FRT-SFR GANGWAY STANDARD MOUNTING

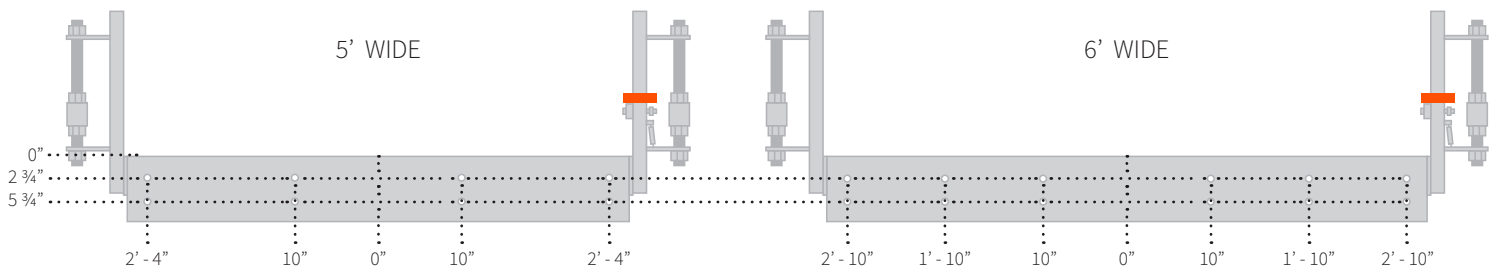


STANDARD MOUNTING HOLES IN BACK OF BASETREAD – SEE STANDARD MOUNTING HOLE DIMENSIONS

STANDARD MOUNTING HOLE DIMENSIONS



ALL MOUNTING HOLES
13/16" DIA. FOR 3/4" A325 BOLTS



OPTIONAL MOUNTING SMALL ANGLE CLIP

Angle clip both sides of basetread



TOP MOUNT

WHEN TOP MOUNTING HARDWARE MUST GO THROUGH PLATFORM STRUCTURE NOT JUST GRATING

Angle clip both sides of basetread



FRONT SIDE MOUNT

Raised angle clip both sides of basetread



FRONT RAISED SIDE MOUNT

OPTIONAL MOUNTING UNIVERSAL ANGLE CLIP

Universal clip both sides of basetread



BEAM WITH FLUSH GRATING

Universal clip both sides of basetread



CHANNEL WITH FLUSH GRATING

Universal clip both sides of basetread



BEAM WITH TOP GRATING

Universal clip both sides of basetread



CHANNEL WITH TOP GRATING

MOUNTING OPTIONS FOR UNIVERSAL ANGLE CLIP USING HOLES ON THE SIDES OF THE BASETREAD